



ED2202S Specifications

Readability	0.01 g
Weighing capacity	2200 g
Pan size	180x180 mm / 7x7in.
Response time (avg.)	1.1 sec.
Dimensions - Overall:	(W x D x H): 230 x 303 x 90.5 mm 9 x 12 x 3.5 in.
Reproducibility	0.01 g
Linearity	0.02 g

Standard Features:

White backlit, high contrast display with 15 mm digits.

New operating concept: simple configuration of individual settings guided by short, menu-driven text prompts (choice of 5 languages) and by navigation using the cursor keys.

The most advanced microprocessor technology. More performance power for even faster and more stable readings

Monolithic weight cell technology guarantees the long-term high quality of the weighing results.

The level indicator is positioned in the direct vicinity of the display – this enables the user to quickly check whether the balance is correctly leveled.

Digital filter levels of the newest generation offer optimal prerequisites for adapting the balance to the conditions at the place of use.

Bidirectional RS-232C interface port, connection of the balance to a USB port by an optional Sartorius adapter cable.

ISO/GLP – compliant recording/printing of calibration, adjustment and weight values in conjunction with the optional YDP03-OCE data printer

Built-in application programs: calculation by a factor, weighing in %, net-total formulation; animal weighing; toggling up to 4 different units of measure, totalizing, count and density determination..

Amble sized stainless steel weighing pan

Total ease of operation. All keys feature positive click action. Clearly structured control panel

Automatic calibration and adjustment at the touch of a respective key – using an external weight..

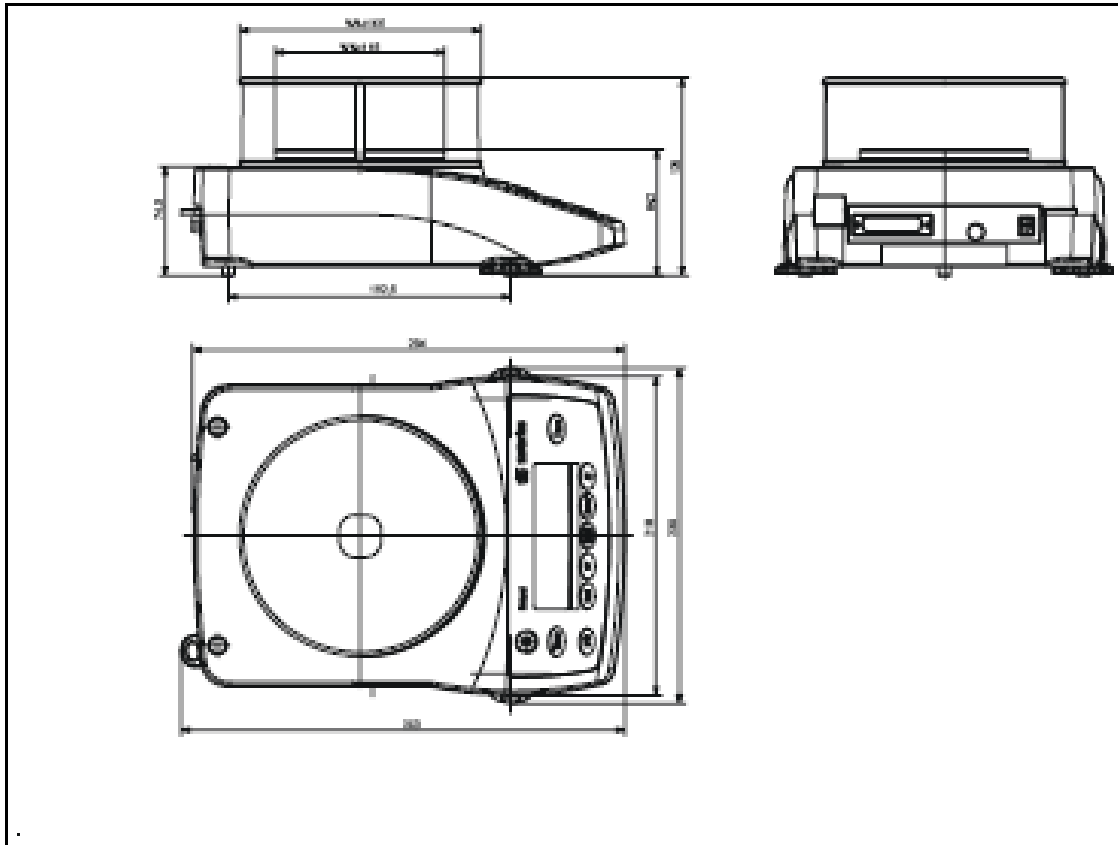


Data printer

Key accessories	Order no.
Data printer with date, time and statistics functions	YDP03-OCE
Data transfer software Software Wedge with RS-232C standard cable (1.5 m);	72US1010.3

Sartorius Corporation
 131 Heartland Boulevard
 Edgewood New York 11717
 Toll Free: (800) 635-2906
 ☎ (631) 254-4249
 Fax (631) 254-4261

This Document Number:	
Related Documents	#
Applications Catalog	102000
Laboratory Catalog	1000
Calibration Catalog	80000



Alle Angaben in mm | All dimensions are in millimeters

Für Modell	ED623S, ED423S, ED323S, ED153, ED623S-CW, ED423S-CW, ED323S-CW,
For Model	ED153-CW, ED623S-OCE, ED423S-OCE, ED323S-OCE, ED153-OCE

Sartorius Corporation
131 Heartland Boulevard
Edgewood New York 11717
Toll Free: (800) 635-2906
☎ (631) 254-4249
Fax (631) 254-4261

This Document Number:	
Related Documents	#
Applications Catalog	102000
Laboratory Catalog	1000
Calibration Catalog	80000