

# Extend ED423S

The Sartorius Extend series.  
High achievers in lab routines.  
Model ED423S



## ED423S Specifications

Readability	0.001 g
Weighing capacity	420 g
Pan size	115 mm / 4.3 in.
Response time (avg.)	1.0 sec.
Dimensions - Overall:	(W x D x H): 230 x 303 x 136 mm 9 x 12 x 5.5 in.
Reproducibility	0.001 g
Linearity	0.002 g

## Standard Features:

White backlit, high contrast with 15 mm digits.

New operating concept: simple configuration of individual settings guided by short, menu-driven text prompts (choice of 5 languages) and by navigation using the cursor keys.

The most advanced microprocessor technology. More performance power for even faster and more stable readings.

The level indicator is positioned in the direct vicinity of the display – this enables the user to quickly check whether the balance is correctly leveled.

Digital filter levels of the newest generation offer optimal prerequisites for adapting the balance to the conditions at the place of use.

Bidirectional RS-232C interface port, connection of the balance to a USB port by an optional Sartorius adapter cable.

ISO/GLP – compliant recording/printing of calibration, adjustment and weight values in conjunction with the optional YDP03-OCE data printer.

Built-in application programs: calculation by a factor, weighing in %, net-total formulation; animal weighing; toggling up to 4 different units of measure, totalizing, count and density determination..

Total ease of operation. All keys feature positive click action. Clearly structured control panel.



Data printer

## Key accessories

Data printer with date, time and statistics functions

## Order no.

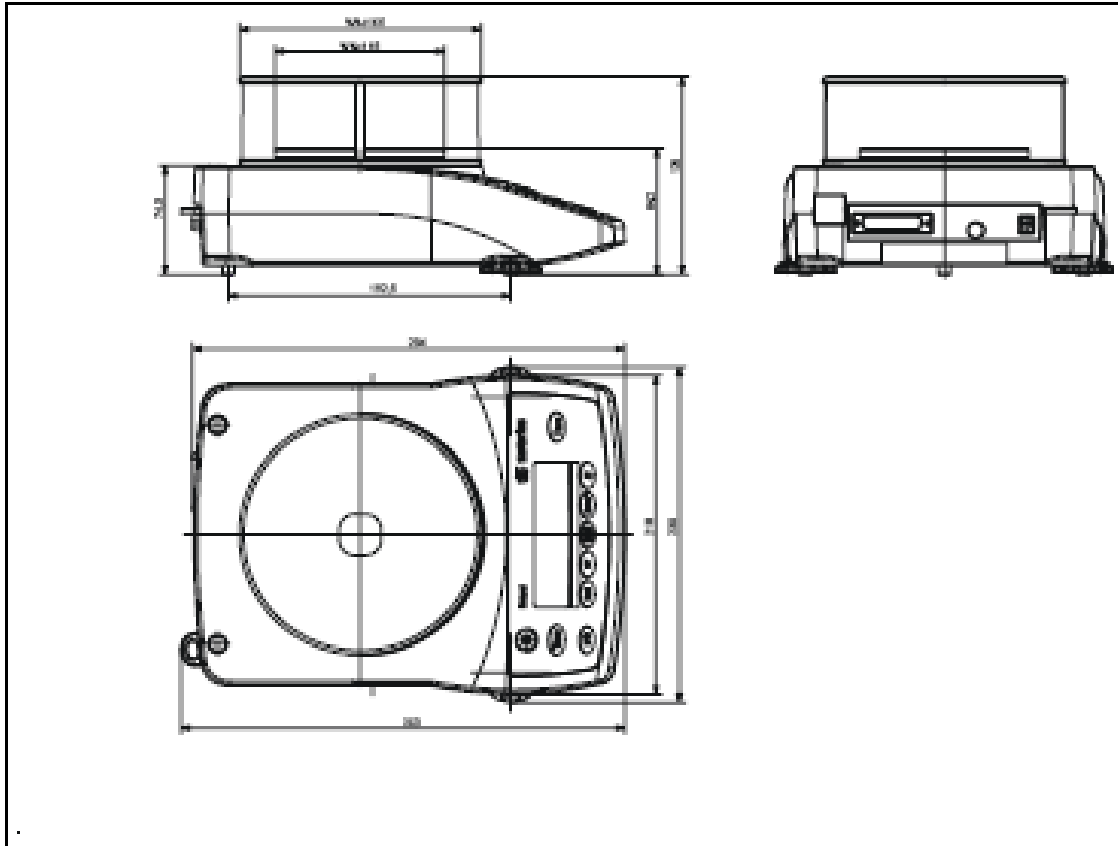
YDP03-OCE

Data transfer software Software Wedge with RS-232C standard cable (1.5 m);

72US1010.3

Sartorius Corporation  
131 Heartland Boulevard  
Edgewood New York 11717  
Toll Free: (800) 635-2906  
☎ (631) 254-4249  
Fax (631) 254-4261

This Document Number:	
<b>Related Documents</b>	<b>#</b>
Applications Catalog	102000
Laboratory Catalog	1000
Calibration Catalog	80000



Alle Angaben in mm | All dimensions are in millimeters

Für Modell | ED623S, ED423S, ED323S, ED153, ED623S-CW, ED423S-CW, ED323S-CW,  
For Model | ED153-CW, ED623S-OCE, ED423S-OCE, ED323S-OCE, ED153-OCE

Sartorius Corporation  
131 Heartland Boulevard  
Edgewood New York 11717  
Toll Free: (800) 635-2906  
☎ (631) 254-4249  
Fax (631) 254-4261

This Document Number:		
<b>Related Documents</b>	<b>#</b>	
Applications Catalog	102000	
Laboratory Catalog	1000	
Calibration Catalog	80000	