

## Sartorius CUBIS® Precision Balance Model MSU1202S-000-DO



### Specifications

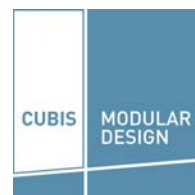
|                      |                              |
|----------------------|------------------------------|
| Weighing capacity    | 1200 g                       |
| Readability          | 10 mg.                       |
| Pan size             | 206 x 206 mm / 8.1 x 8.1 in. |
| Response time (avg.) | 1 sec.                       |
| Repeatability        | ≤± 7 mg                      |
| Linearity            | ≤± 20 mg                     |
| Corner Load          | 20 mg. (500 g.)              |

### Standard Features:

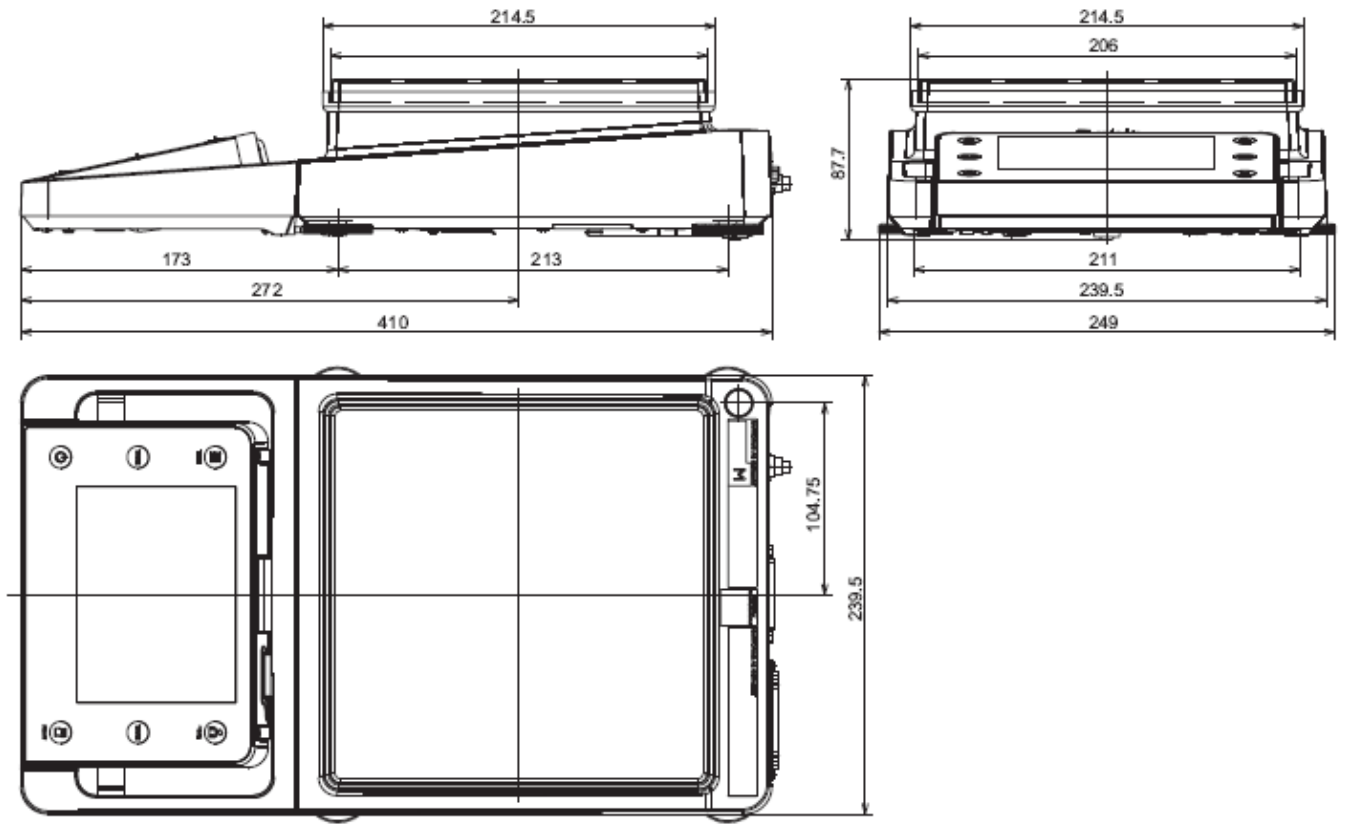
- MSU Display features a high-resolution black and white 5.7" graphical display with soft key operation. Display is tiltable and control unit detachable.
- Q-Level – The first balance in its class with automatic leveling.
- Q-Pan – Off Center load compensation reduces off-center loading errors, enables Cubis to be designed with an extra-large weighing pan.
- Q-Comm – provides maximum connectivity. Three standard interface ports (RS-232, USB, Ethernet).
- Q-Guide – novel, wizard-supported User/Task Management for easiest operation – even when the most complex weighing tasks need to be performed.
- Advanced Pharma Compliance makes Cubis ideal for use in regulated areas. Alert messages and reminder functions with user-definable action hierarchy for leveling, minimum sample weight, calibration and adjustment. Fully automatic calibration and adjustment with isoCAL, GLP-compliant, user configurable printouts,
- All Data, such as user base data or tasks can easily be transferred by SD card from one Cubis to another.
- Applications include mass unit conversion, SQmin function, isoCAL function, Density determination, statistics, calculation, averaging, formulation, percent weighing, time-controlled functions, totalizing, second tare memory, counting and over/under checkweighing.

Sartorius Corporation  
5 Orville Drive  
Bohemia, NY 11716  
Toll Free: (800) 635-2906  
☎ (631) 254-4249  
Fax (631) 254-4252

For 3D Demonstration Go To:  
[www.Sartorius.com/Cubis](http://www.Sartorius.com/Cubis)



# Sartorius CUBIS® Series



- Options:
- IR = Additional RS232, 25 pin connection
  - IB = Bluetooth wireless interface
  - IP = Additional RS232C, 9 pin connection with PS2 port

Sartorius Corporation  
5 Orville Drive  
Bohemia, NY 11716  
Toll Free: (800) 635-2906  
☎ (631) 254-4249  
Fax (631) 254-4252

For 3D Demonstration Go To:  
[www.Sartorius.com/Cubis](http://www.Sartorius.com/Cubis)

